

4

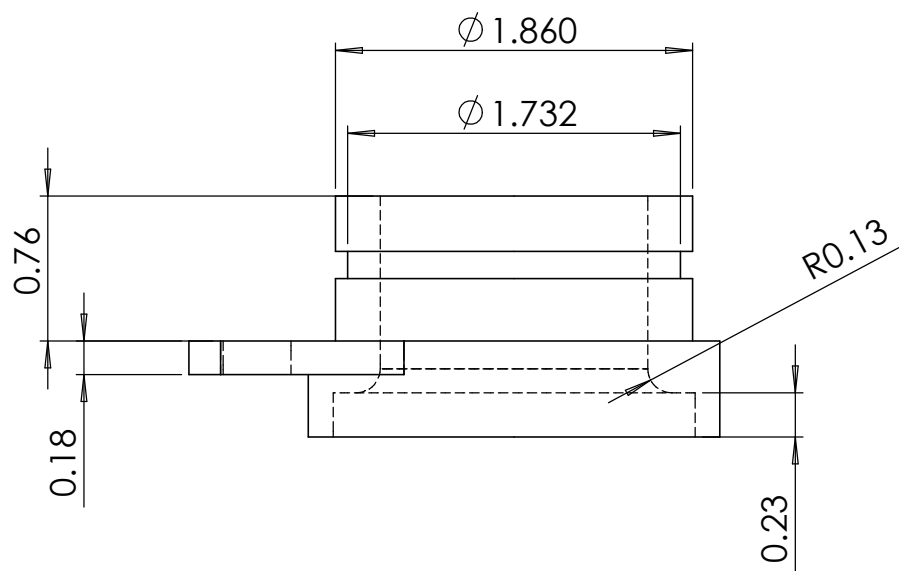
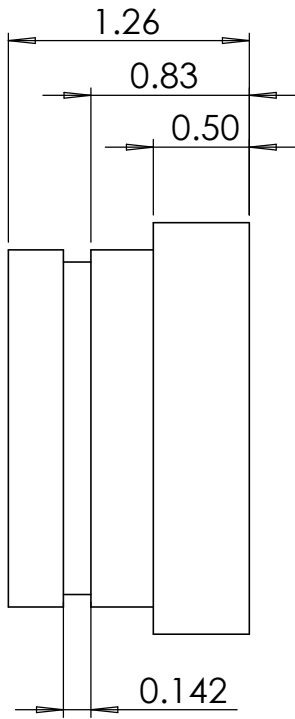
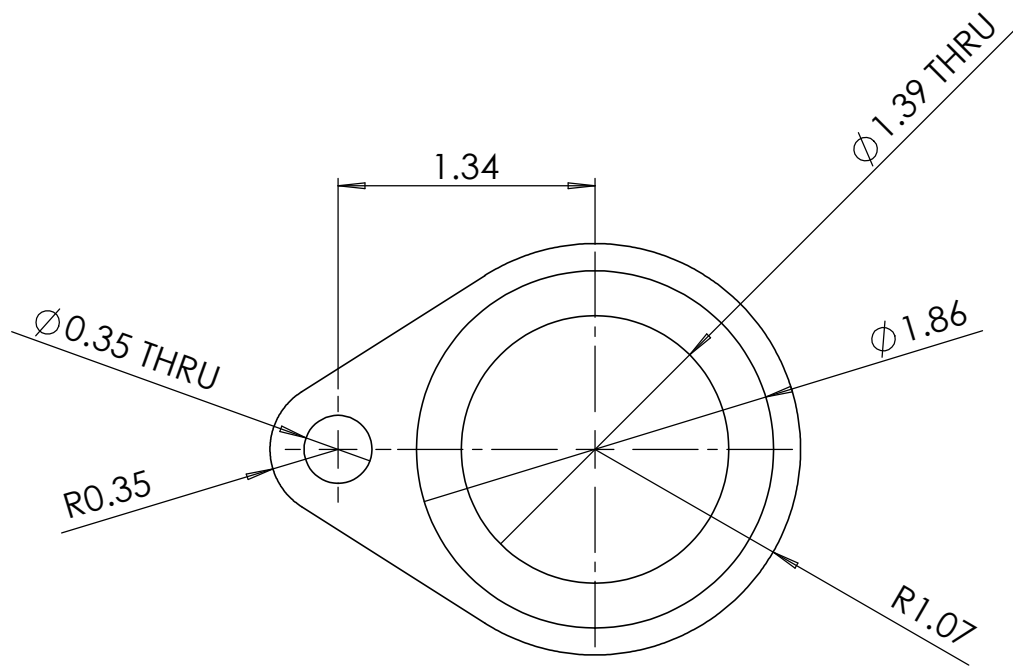
3

2

1

B

B



USE -131 VITON O-RING

PROPRIETARY AND CONFIDENTIAL
 THE INFORMATION CONTAINED IN THIS DRAWING IS THE SOLE PROPERTY OF DENNIS GRANT. ANY REPRODUCTION IN PART OR AS A WHOLE WITHOUT THE WRITTEN PERMISSION OF DENNIS GRANT IS PROHIBITED.

		UNLESS OTHERWISE SPECIFIED:			NAME	DATE	FAR NORTH RACING TITLE: STEALTH / 3000GT REAR TURBO OUTLET PIPE ADAPTOR			
		DIMENSIONS ARE IN INCHES			DRAWN	DG			08 08 16	
		TOLERANCES:			CHECKED	DG			08 08 16	
		FRACTIONAL ±			ENG APPR.	DG			08 08 16	
		ANGULAR: MACH ± BEND ±			MFG APPR.	DG			08 08 16	
		TWO PLACE DECIMAL ±0.05			Q.A.	DG	08 08 16	SIZE	DWG. NO.	REV
		THREE PLACE DECIMAL ±0.002			COMMENTS:			B	DG201608002	1.0
		MATERIAL						SCALE: 1:1	WEIGHT:	SHEET 1 OF 1
		6061 T6								
		FINISH								
		AS MACHINED								
NEXT ASSY		USED ON								
APPLICATION		DO NOT SCALE DRAWING								

FARNORTHRACING.COM

4

3

2

1

A

A