

4

3

2

1

Injector and red sensor wires are specced 0.85mm² = 18 Ga
 All others are specced 0.50mm² = 20 Ga

18 Ga Tefzel measured out at 0.048 in = 16 Ga
 22 Ga Tefzel measured out at 0.030 in = 20 Ga

PASSENGER SIDE

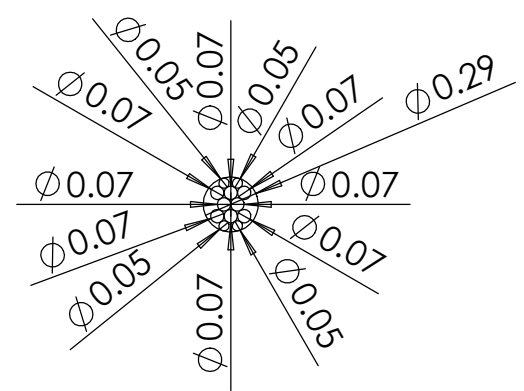
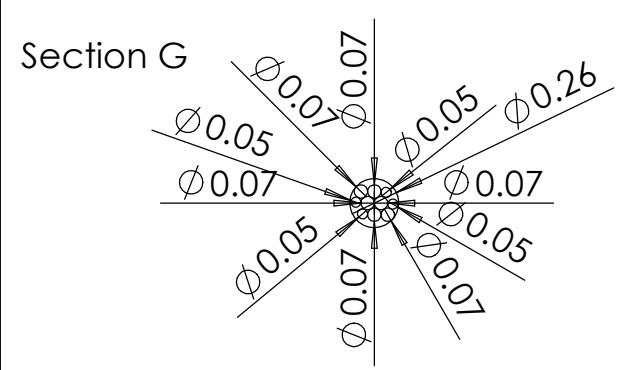
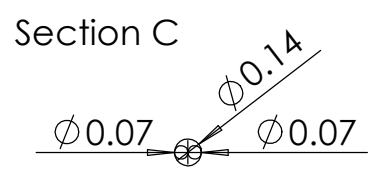
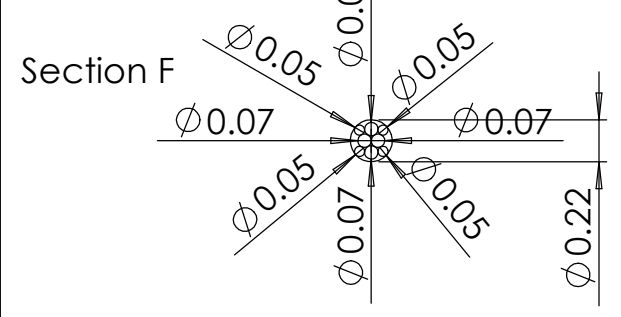
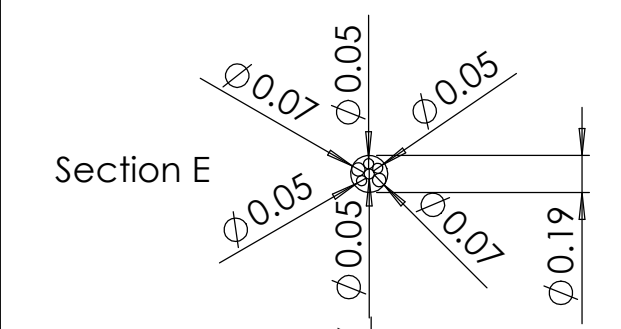
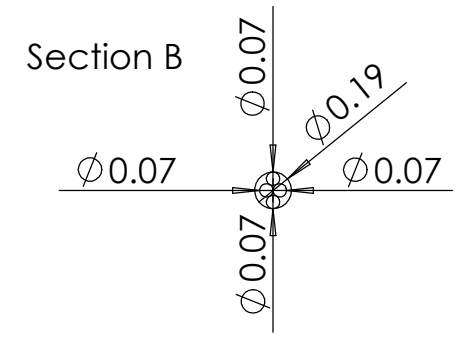
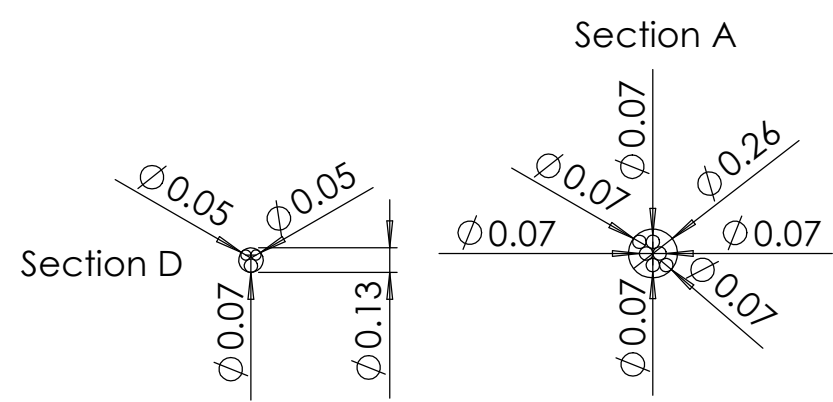
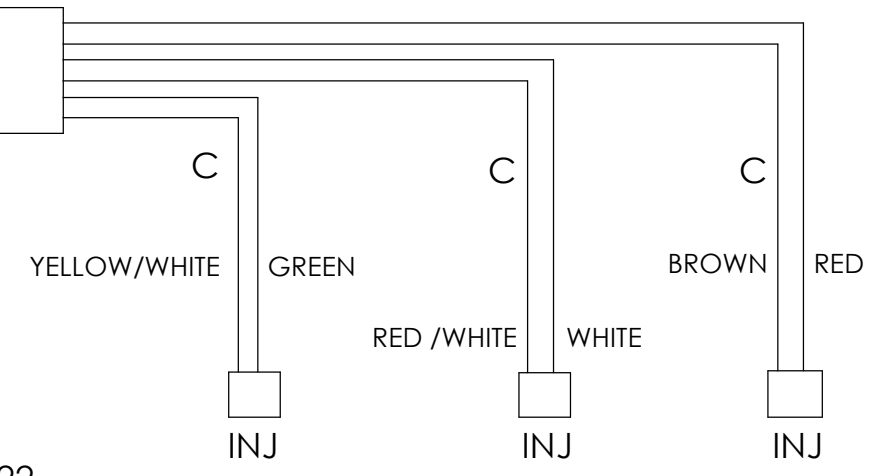
REAR BANK

DRIVER SIDE

MITSUBISHI CONNECTOR

A

B



DEUTCH DTM INTO OEM HARNESS

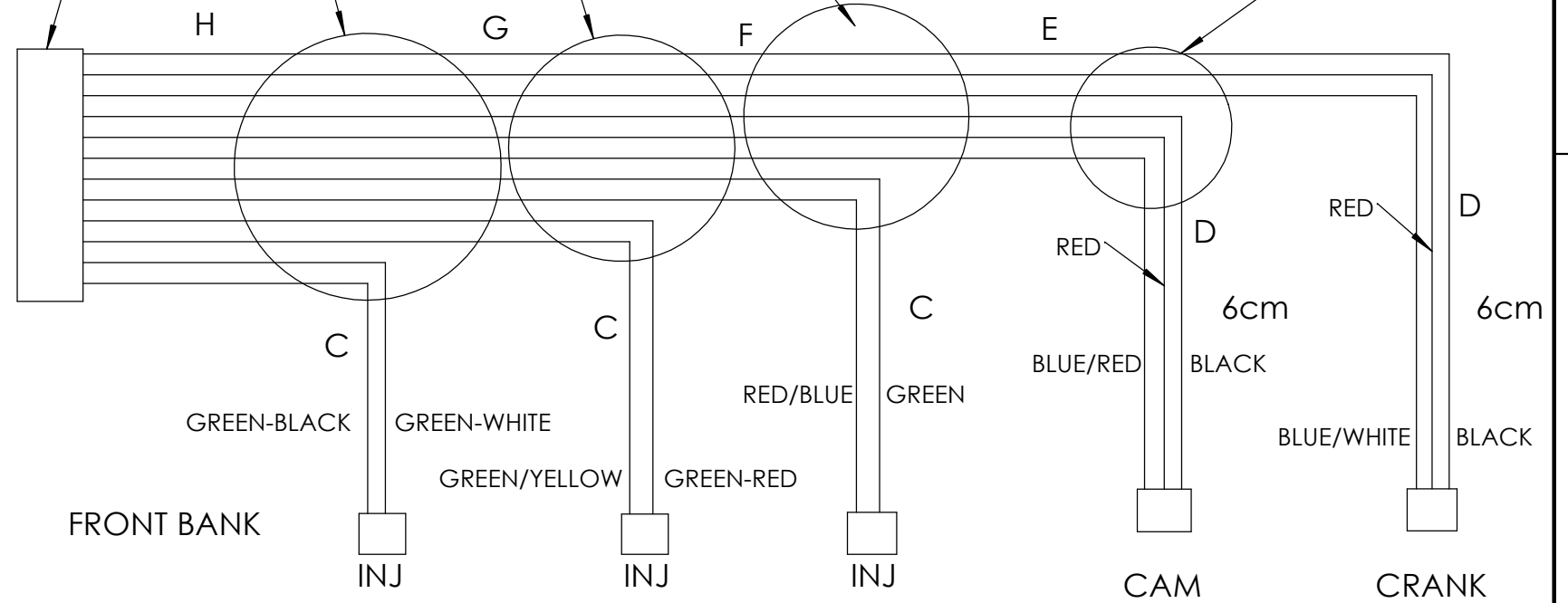
322A122

322A122

322A122

19cm
E

382A012-25-0



FRONT BANK

INJ

INJ

INJ

CAM

CRANK

PROPRIETARY AND CONFIDENTIAL
 THE INFORMATION CONTAINED IN THIS DRAWING IS THE SOLE PROPERTY OF DENNIS GRANT. ANY REPRODUCTION IN PART OR AS A WHOLE WITHOUT THE WRITTEN PERMISSION OF DENNIS GRANT IS PROHIBITED.

		UNLESS OTHERWISE SPECIFIED:		NAME	DATE
		DIMENSIONS ARE IN INCHES		DRAWN	DG 11/08/16
		TOLERANCES:		CHECKED	
		FRACTIONAL ±		ENG APPR.	
		ANGULAR: MACH ± BEND ±		MFG APPR.	
		TWO PLACE DECIMAL ±		Q.A.	
		THREE PLACE DECIMAL ±		COMMENTS:	
		INTERPRET GEOMETRIC TOLERANCING PER:			
		MATERIAL			
		AS SPEC			
		FINISH			
		N/A			
NEXT ASSY	USED ON				
APPLICATION		DO NOT SCALE DRAWING			

FAR NORTH RACING		
TITLE:		
3000GT INJECTOR HARNESSSES		
SIZE	DWG. NO.	REV
B	DG110816001	0.9
SCALE: 1:1	WEIGHT:	SHEET 1 OF 1

FARNORTHRACING.COM

4

3

2

1